

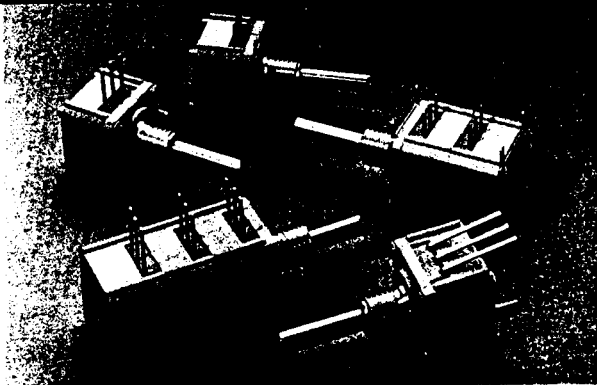
DATA SHEET

Series 308/309 Potentiometer

HAWKER

CLAROSTAT

SIDDELEY



308: Modular Style, Conductive Plastic

309: Modular Style, Thick-Film Cermet

Description

The series 308 and 309 are high-performance, low cost potentiometers. They are also available with S.P.S.T. or S.P.D.T. rotary switch modules, S.P.S.T. momentary switch modules and/or potentiometer modules in multiple sections up to three sections.

Features

- **Compact** - 1/2 in. (12.7mm) miniature, modular size.
- **Cost-effective** - Design simplicity through fewer component parts.
- **Robust** - Horizontal or vertical mountings with support plates. Nickel-plated brass shaft and bushings in various diameters and lengths. Insert molded gold plated terminals for strength.
- **Precision Made** - screen-printed conductive plastic and thick-film cermet elements.
- **Stability** - Series 308 - 40°C to +120°C; Series 309 - 40°C to 150°C operating temperature.

Series 308 Electrical Specifications

Series 309 Electrical Specifications

Resistance Tolerance

100Ω to 5 Megohms, linear;
500Ω to 2 Megohms, non-linear

Linear: 5Ω to 5 Megohms
Taper: 100Ω to 2 Megohms

Resistance Range

Linear, thru 500KΩ, ±10%;
above 500K to 5 Megohms, ±20%.
Non-linear thru 100KΩ, ±10%; above
100Ω ±20%.

±10% standard; ±5% special.
Trimmers ±20%.

End Resistance

Linear, 4Ω maximum each end. Taper
low side. 4Ω maximum. High side 1% of
total R.

2Ω maximum. 5Ω to 2500Ω.
4Ω maximum. 5KΩ and above.

Power Rating

.5 watt @ 70°C. Derated linearly to zero
watts at 120°C. See Chart B, page 29.
For non linear tapered units or PC
mounting, derate by 50%. Trimmer
style, derate by 50%.

1 watt @ 85°C. Derate linearly
to zero watts at 150°C.
For tapered units, trimmers or PC
mounting, derate 50%.

Effective Rotation

265° ±5° without rotary switch;
240° ±5° with rotary switch.

250° +10° -5° without rotary switch;
225° +10° -5° with rotary switch.

Dynamic Noise

Standard: Linear single controls
maximum initial noise level of 1.5% of
total resistance. Measurement made
using constant current source and
oscilloscope detection technique.
Special: 1%.

Standard: Linear single controls maximum
initial noise level of 3% of total resistance.
Measurement made using constant current
source and oscilloscope detection
technique. Special: 1.5%

Electrical Specifications continued, next page

Electrical Specifications continued from previous page

<i>Electrical Rotation</i>	295° ±5°	295° ±5°
<i>Working Voltage</i>	350 Vdc across end terminals, but power not to exceed rating.	350 Vdc across end terminals, but power not to exceed rating.
<i>Resistance Temperature Characteristics</i>	See Chart C.	See Chart C.
<i>Linearity</i>	±5% independent	±5% independent
<i>Non-linear Tapers</i>	Right or left-hand available. See Chart A.	Right or left-hand available. See Chart A.
<i>Taper Tolerance</i>	±20% of nominal resistance @ 50% ±3% of mechanical rotation.	±20% of nominal resistance @ 50% ±3% of mechanical rotation.
<i>Voltage Coefficient</i>	.008%/Volt maximum	.008%/Volt maximum
<i>Dielectric Withstanding Voltage</i>	750 Vac for 60 seconds @ ATM pressure. 350 Vac for 6 seconds @ 3.4 in. Hg.	900 Vac for 60 seconds @ ATM pressure. 350 Vac for 60 seconds @ 3.4 in. Hg.

Series 308/309 Mechanical Specifications

Mechanical Rotation

295° ±5°

Stop Torque

3 lb. in. minimum (metal shaft)

Other torque options available. Please consult factory

Torque Range

.20 to 3.0 oz. in. (Single); .3 to 3.5 oz. in. (Dual); .4 to 4.5 oz. in. (Triple).

Other torque options available. Please consult Factory.

Torque Variation

Within control .5 oz. in. maximum

Bushing

Material: Brass nickel plated

Diameters: Supplied in .250" – 32 NEF 2A thread (6.35mm) and .375" – 32 NEF 2A thread (9.53mm).

Lengths: Available in .250"(6.35mm), .375"(9.53mm), and .500"(12.7mm).

Styles: Plain, locking and trimmer.

Shaft

Material: Brass nickel plated and stainless steel

Diameters: Single shaft: .125"(3.18mm) and .250"(6.35mm)
Concentric: .078"/.125"(1.98/3.18mm) and .125"/.250"(3.18/6.35mm)

Lengths: Maximum of 3"(76.2mm) from bushing mounting surface. .025"(6.35mm) minimum on trimmer bushing

Styles: Plain, slotted, flatted and concentric

Push Momentary Switch

S.P.S.T., 125ma, 28Vdc, push momentary switch. Type DJ

Rotary Switch

S.P.S.T. and S.P.D.T., CCW or CW, 125ma, 28Vdc. Type AL

Center Detent

Indent device which provide an indexing position.

Indent torque: .6 to 3 oz. in.

Rotational torque: .3 to 2.5 oz. in.

Indent position: Single at 50% mechanical rotation

Rotational life: 25,000 cycles

Housing

Thermoplastic polyester, blue. (U.L. SE-O rating).

Hardware

Nut: brass, nickel-plated

Lockwasher: phosphorous bronze, nickel-plated

Solvent Resistance

Housing resistant to trichlorethylene, *Chlorethene NU, Freon TMS, **Freon TMC, toluene, MEK, ethyl acetate and gasoline. For solvents not listed, please consult Factory. **Note:** Units not immersion sealed

Terminals

Gold-coated PC terminals or solder hook style. PC pins fit .100 grid spacing. Terminal mounting options available.

Weight (approx.)

Metal shaft & bushing: (Single) .19 oz., (Dual) .27 oz., (Triple) .35 oz.

*T.M. Dow Chemical Co.

**T.M. DuPont

Mechanical Specifications continued, next column

Series 308/309 Operational Specifications

Operating Temperature Range

Series 308: -40°C to +120°C

Series 309: -40°C to +150°C

Storage Temperature Range

Series 308: -55°C to +120°C

Series 309: -55°C to +150°C

Rotational Life

Series 308: linear control, 50,000 cycles under load.
(plain bushing).

Change not to exceed 10% R.

Trimmer life under load is 5,000 cycles.

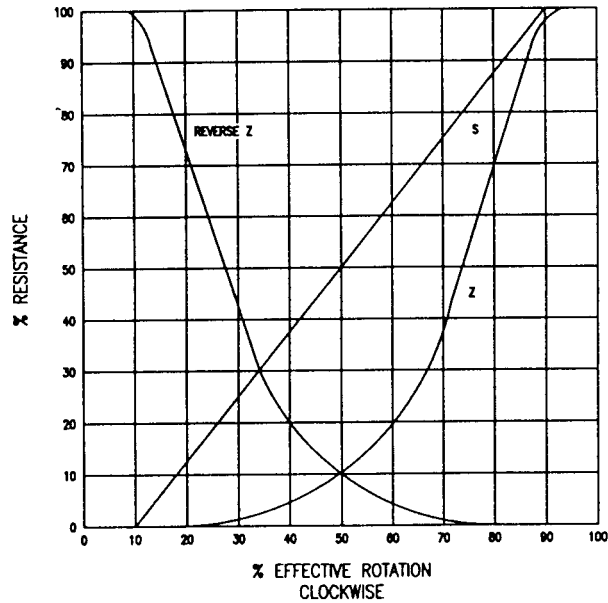
Series 309: linear control, 25,000 cycles under load.
(plain bushing).

Change not to exceed 5% R.

Trimmer life under load is 5,000 cycles.

Figure 1

Chart A



Curves Standard

The "S" taper is linear, the change in resistance value being directly proportional to the degree of rotation. It can be used either as right-hand or left-hand taper.

The "Z" taper attains 10% resistance value at 50% of clockwise rotation (left-hand).

The reverse "Z" taper attains 10% resistance values at 50% of counter-clockwise rotation (right-hand).

For conformity and special output curves, consult Factory

AL Switch Specifications

Rating

125ma 28Vdc (dry circuit)

Rotational Life

25,000 cycles under rated load

DJ Switch Specifications

Rating

125ma 28Vdc

Rotational Life

25,000 under rated load

Figure 2

Chart B

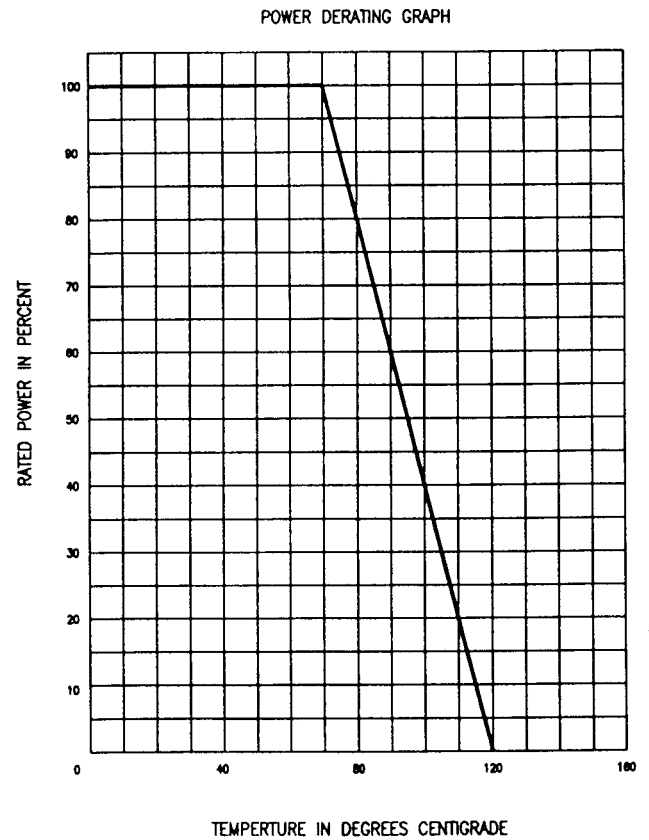


Figure 7

Series 308/309 Single, Dual, or Triple with Panel and Rear Support Plates, Horizontal Mounting

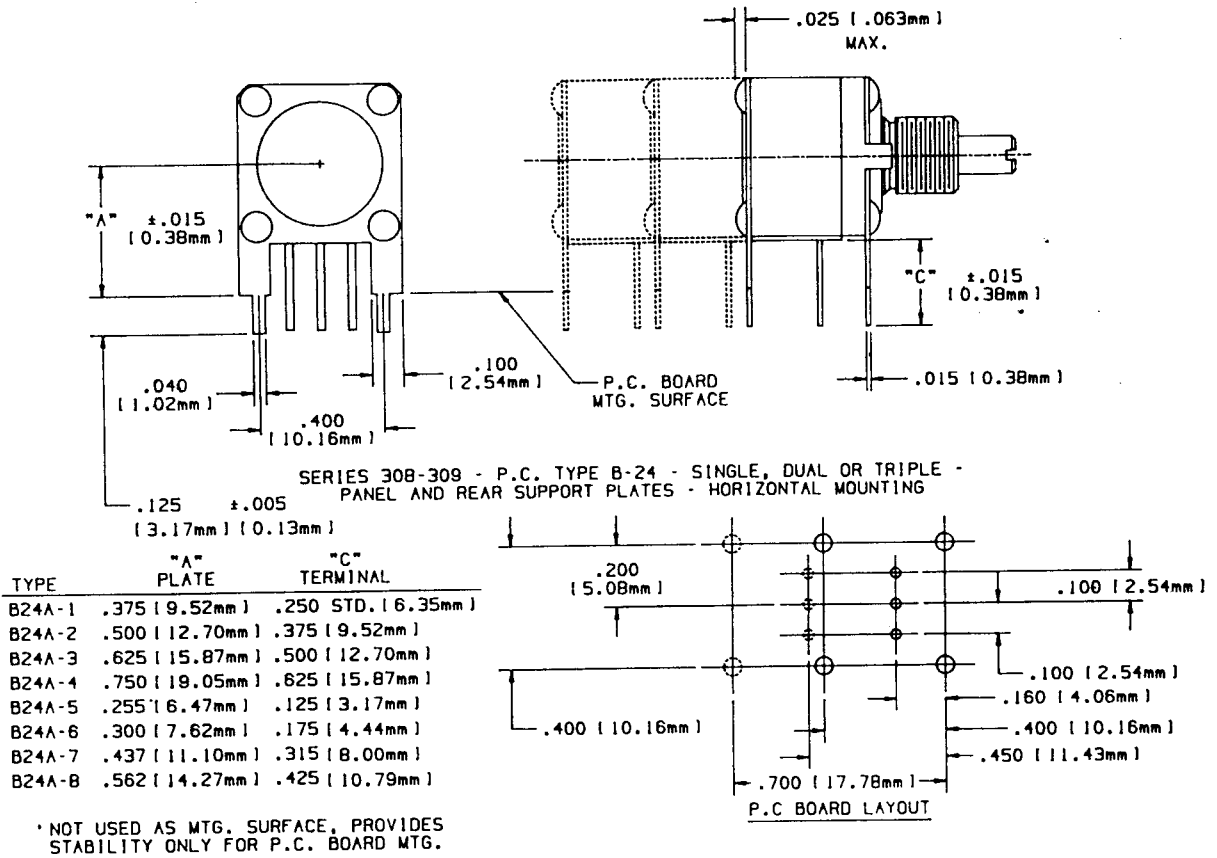


Figure 8

Series 308/309 Single or Dual with Center Detent

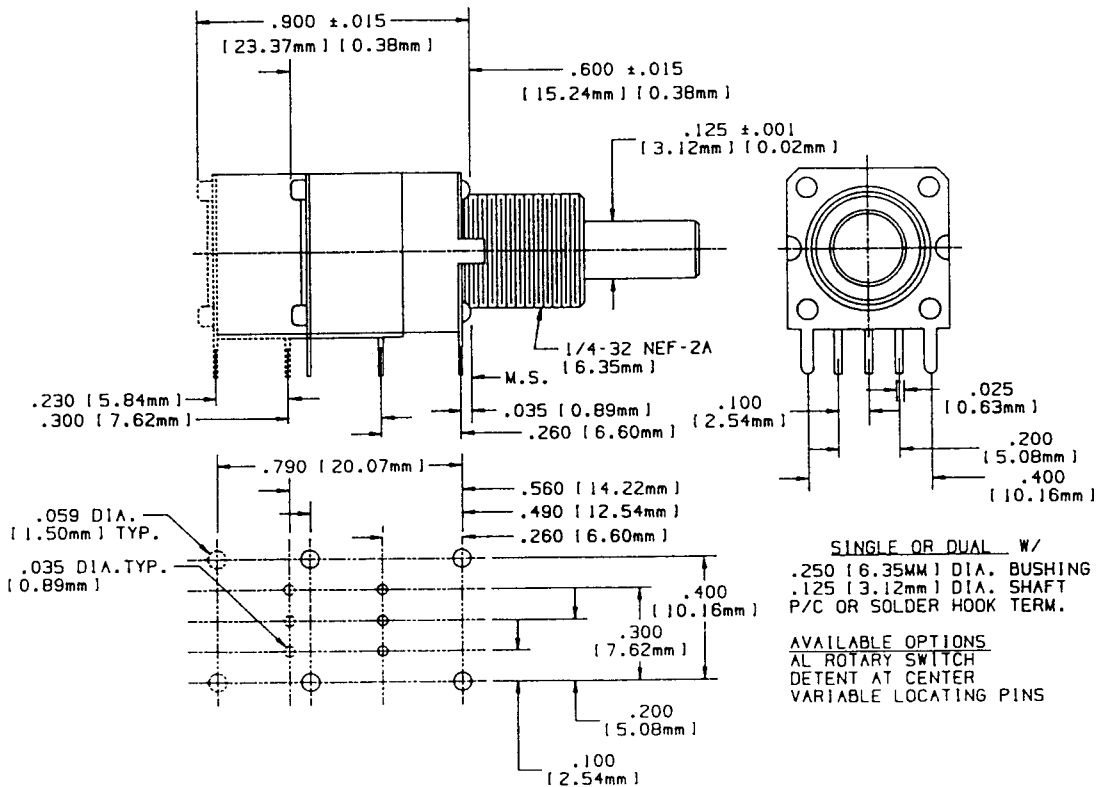


Figure 9

Series 308/309 Single or Dual with Center Detent

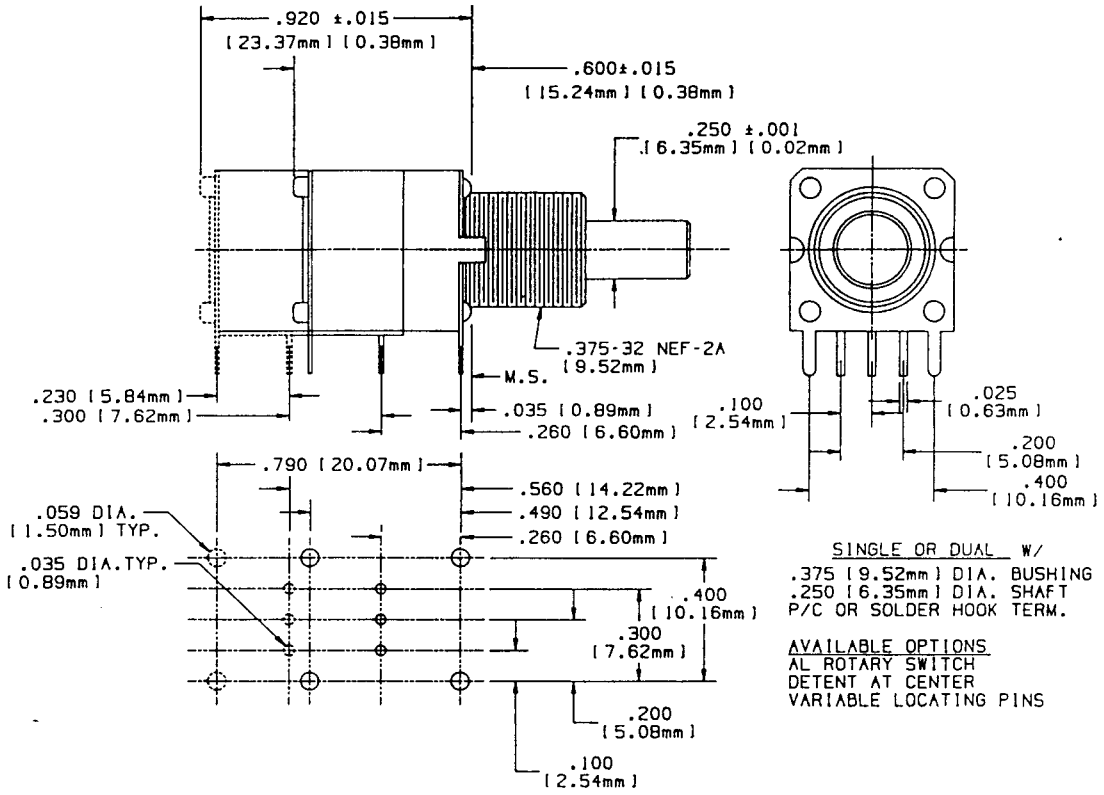


Figure 10

Series 308/309 Single, Dual or Triple with High Rotational Torque

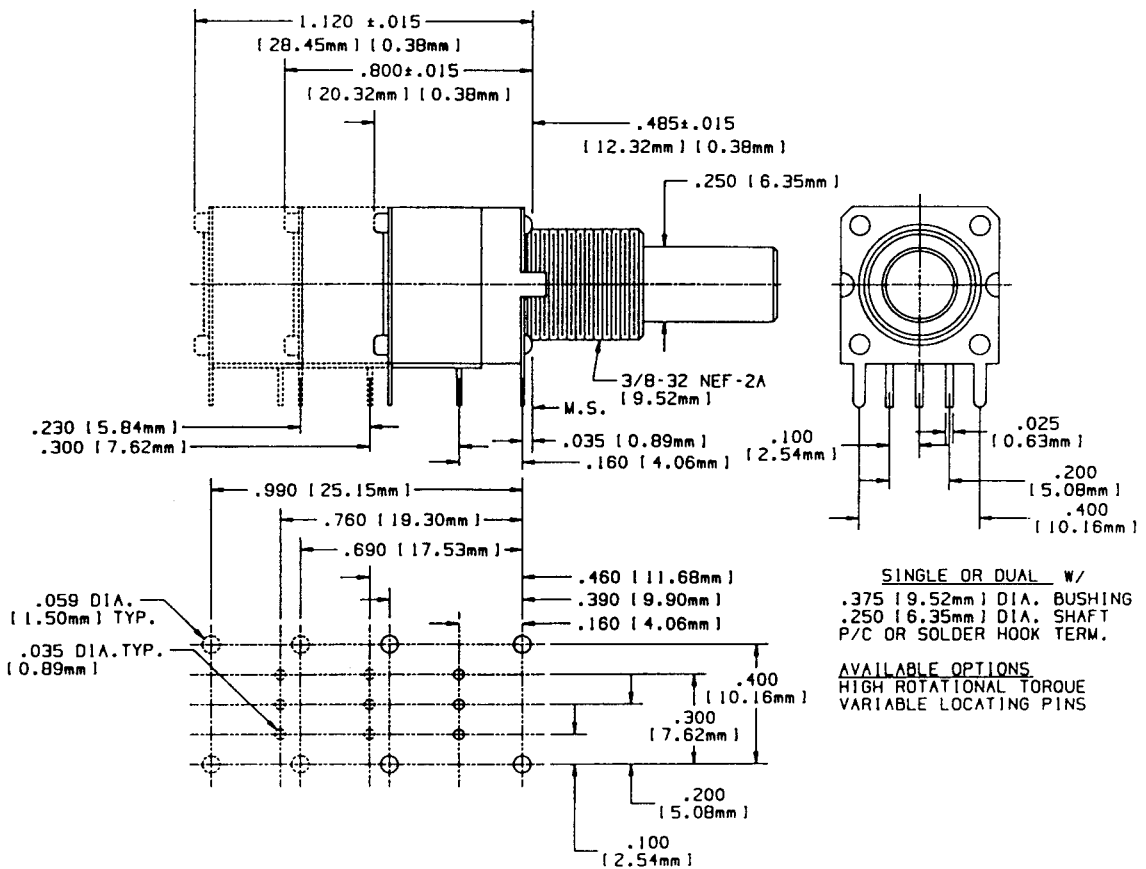


Figure 11

Series 308/309 Dual Concentric

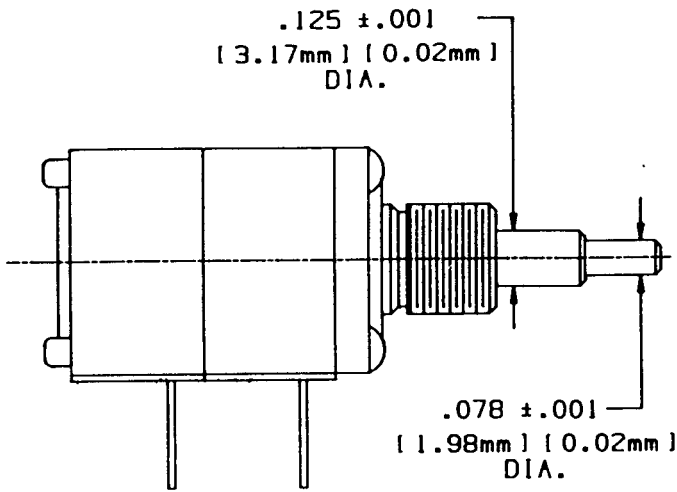


Figure 12

Series 308/309 Type C-10A Printed Circuit Terminals

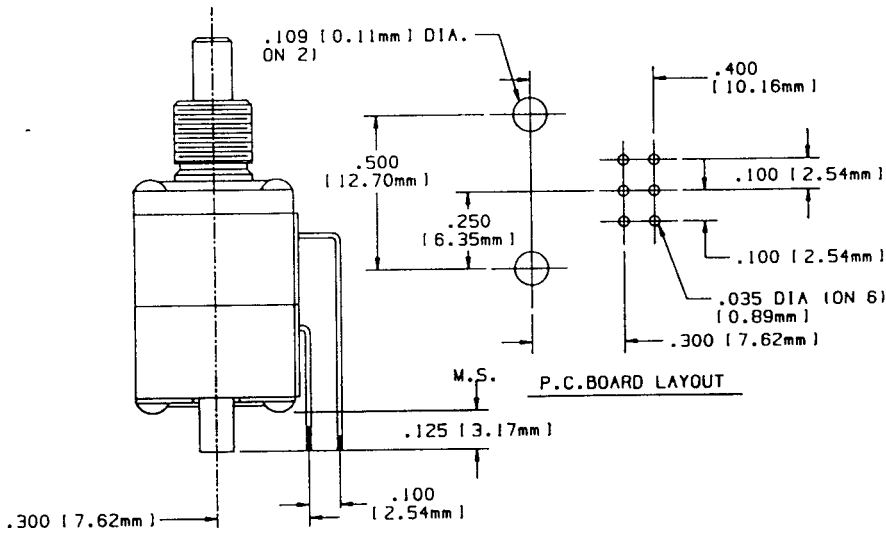


Figure 13

Series 308/309 Type A - 18A Printed Circuit Terminals

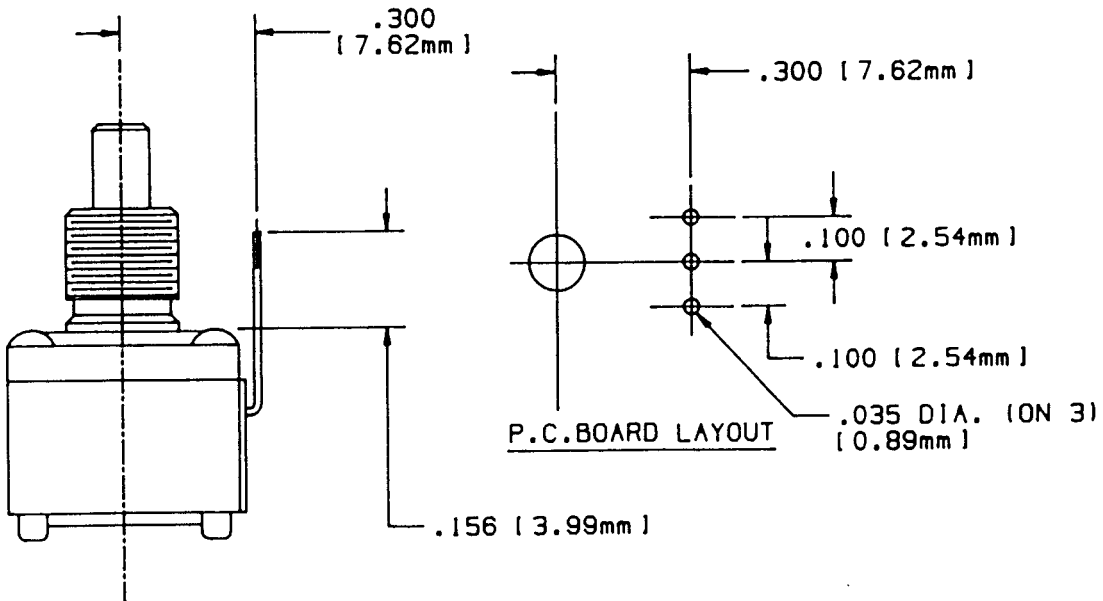


Figure 14

Series 308/309 Type C - 8A Printed Circuit Terminals

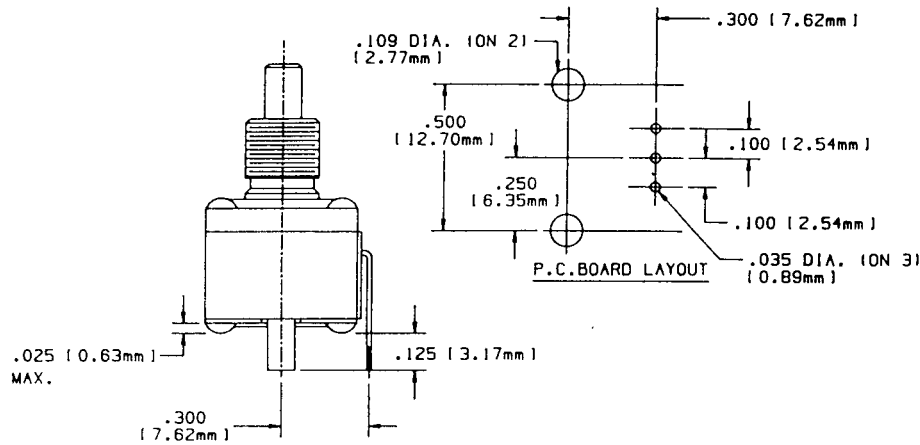
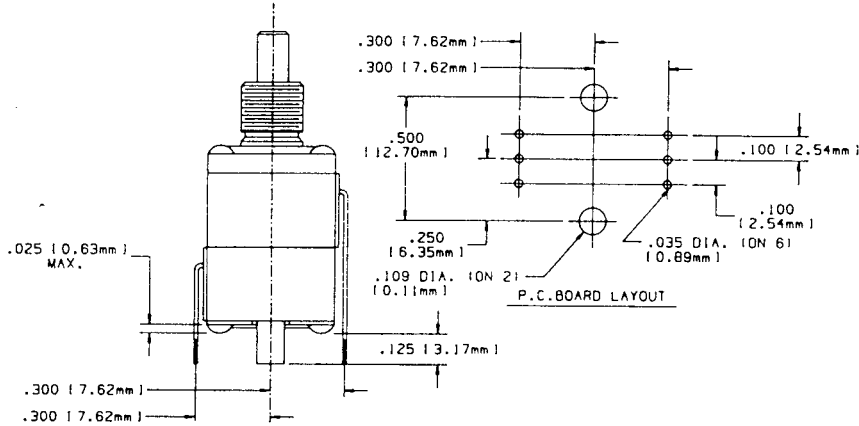


Figure 15

Series 308/309 Type C - 9A Printed Circuit Terminals



Series 308/309 Standard Resistance Values

Stock Values (Ohms)

308N				
100	1000	10K	100K	1Meg
250	2500	25K	250K	1.5Meg
500	5000	50K	500K	5Meg
308N - PC				
100	1000	10K	100K	1Meg
250	2500	25K	250K	2.5Meg
500	5000	50K	500K	5Meg
308L				
500	10K	100K		
1000	25K	250K		
5000	50K	500K		
309N				
100	10K	10K	100K	1Meg
250	25K	25K	250K	2.5Meg
500	50K	50K	500K	5Meg

309L/D308/T308/D309/T309

Please consult factory for price and delivery.

Series 308/309 How To Order

Example: **D308-N-PPS-100-Z**

D308

- Series**
 308 = Single
 Conductive Plastic -
 1/2 watt
 D308 = Dual
 Conductive Plastic -
 1/2 watt
 T308 = Triple
 Conductive Plastic -
 1/2 watt
 309 = Single
 Cermet - 1 watt
 D309 = Dual
 Cermet - 1 watt
 T309 = Triple
 Cermet - 1 watt

N

S

100K

Z

Resistance Value
(Ohms)

Taper
 Z = Log
 RZ = Reverse Log
 S = Linear

Switches

- S = Rotary switch S.P.D.T.
 PM = Push Momentary S.P.S.T.
 PPS = Push/pull switch S.P.D.T.
 No switch requirement = Blank

Shaft & Bushing

- N = Shaft: 1/8 in. (3.18mm) diameter x 3/4 in. (19.05mm) FMS screwdriver slotted
 Bushing: 1/4 in. (6.35mm) diameter x 1/4 in. (6.35mm) length
 L = Shaft: 1/8 in. (3.17mm) diameter x 7/16 in. (11.11mm) FMS screw driver slotted
 Locking Bushing: 3/8 in. (9.52mm) x 1/4 in. (6.35mm) - 32-NEF 2A thread



CLAROSTAT
 1 Washington St.,
 P.O. Box 1507
 Dover, NH 03820-1507
 603-742-1120
 FAX 603-742-0481